



- Sony Exmor back illuminated CMOS sensor
- USB/LAN/WiFi multiple video outputs
- Powerful ISP functions
- ToupView/ToupLite software for PC
- iOS/Android app for smart phones or tablets

### Interface



#### USB

Connect the Micro USB 5V/1A power supply to power the camera, at this time the camera provides LAN or WiFi connection mode. Connect the Micro USB cable to the USB port of the computer to achieve video image output.



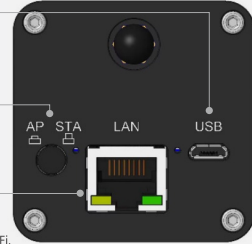
#### AP/STA Switch Button

Press to switch between AP and STA mode. Connecting 2~3 clients for a single camera is recommended.



#### LAN

100M Ethernet port to connect to the router or computer to transfer video. Video can be transmitted via LAN or WiFi. LAN and WiFi cannot be used at the same time. The priority of LAN connection is higher than WiFi.



### Application Configurations

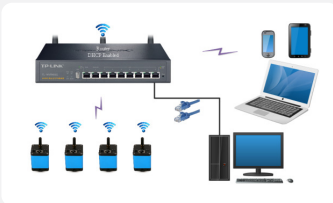
**01** WEUCAM series camera is used by connecting them to a computer via a Micro USB cable



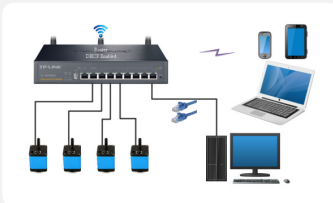
**02** Camera working in WiFi AP mode



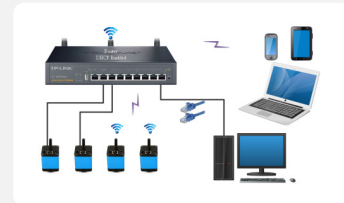
**03** Connecting multi-cameras to the router with WiFi STA mode for the network application



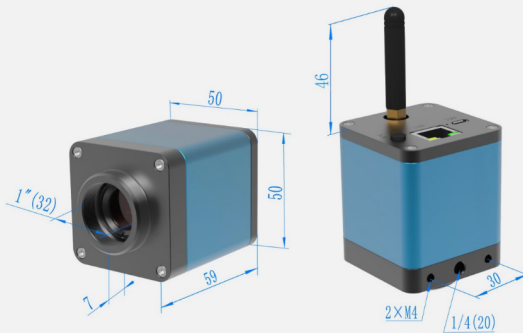
**04** Connecting multi-cameras to the router through the LAN port for the network application



**05** Connecting multi-cameras to the router through the LAN port/WiFi STA mode for the network application



### Dimension



Length 50 mm x Width 50 mm x Height 46 mm

Order Code	Sensor & Size(mm)	Pixel(μm)	G Sensitivity Dark Signal	FPS/Resolution	Binning	Exposure (ms)
WEUCAM4MPA	4M/Sony IMX347(C) 1/1.8"(7.8x4.38)	2.9x2.9	921mv with 1/30s 0.15mv with 1/30s	30@2688*1512(USB) 30@2688*1512(NETWORK)	1x1	0.021ms~1000ms

