



Proudly specified and imported by:



**Prism Optical**  
A Maxima Scientific Pty Ltd Business  
Unit 1, 62 Bishop St  
Kelvin Grove Qld 4059  
prismoptical.com.au  
hello@prismoptical.com.au

## ICX41 Inverted Biological Microscope

The ICX41 Inverted Biological Microscope finds the perfect balance between optical performance, operator comfort, and affordability. Specifically designed for phase contrast cell tissue culture, this is an easy to use and ergonomically friendly instrument with very good image resolution and contrast.

# The features you expect

# ICX41



## Inverted Biological Microscope



### Wide field plan eyepieces

The wide field plan 10X eyepieces have a wide and bright 22mm field of view, making it easy for target searching. They have a high eye-point and rubber eye caps which are effective at relieving eye fatigue. Various graticule options are available.

### High quality infinity objectives

The standard configuration includes long working distance plan achromatic objectives (4X/10X/40X) and a 20X phase contrast objective.

A complete range of Plan Achromat and Plan Achromat Phase Contrast objectives are available.



### Ergonomic viewing head

360° rotating viewing head with 50mm-75mm adjustable inter-pupillary distance. Eye-point can be raised 34mm by rotating the tube at 65mm IPD.

# And some you didn't

### Intelligent motion detecting illumination control

Energy conservation and protecting the environment are important to us. The ICX41 includes an ECO system that uses an IR motion detector to automatically turn the illumination power on or off when the operator is away.

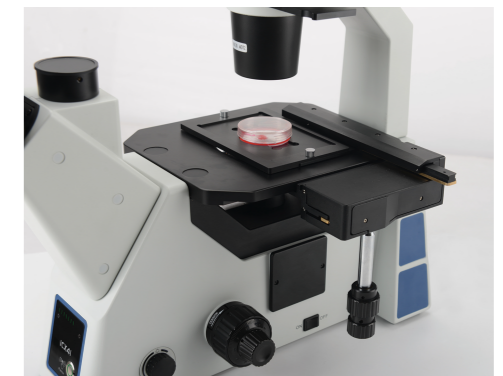


### Clever marking objective

The optional marking objective is a clever way to mark the slide or dish. This lets you quickly return to your areas of interest.

### Versatile stage options

The ICX41 comes with glass and metal stage inserts, and a 35mm petrie dish holder. Extension plates, slide holders, Terasaki plate holders are also available.





## Excellent phase contrast imaging

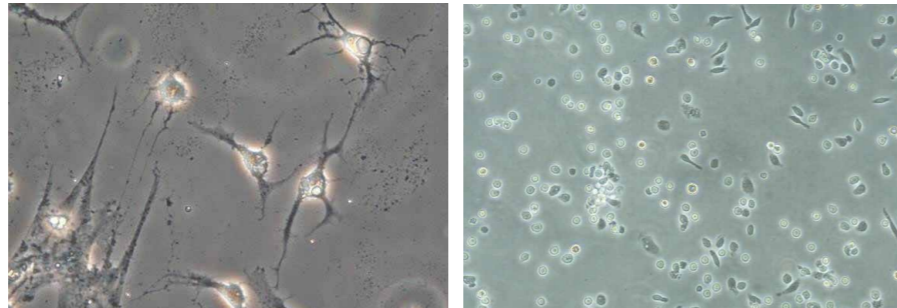


### Phase contrast options

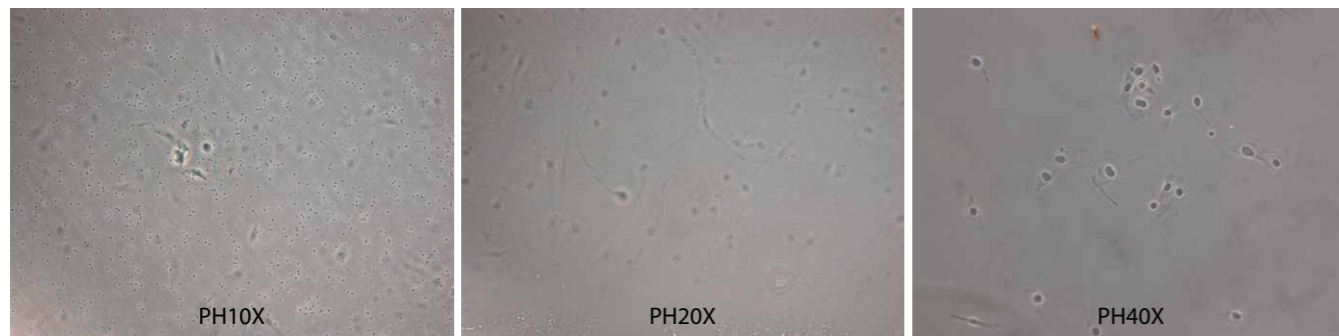
Our especially designed phase contrast plates work with our range of Phase Contrast (4X/10X/20X/40X) and Phase Contrast Fluorescence (20x/40x) objectives for excellent image quality.

### High quality phase contrast images

The ICX41 has been designed and built with the primary goal of providing excellent phase contrast images.



### Sample phase contrast images



# ICX41F

## Inverted Biological Fluorescence Microscope

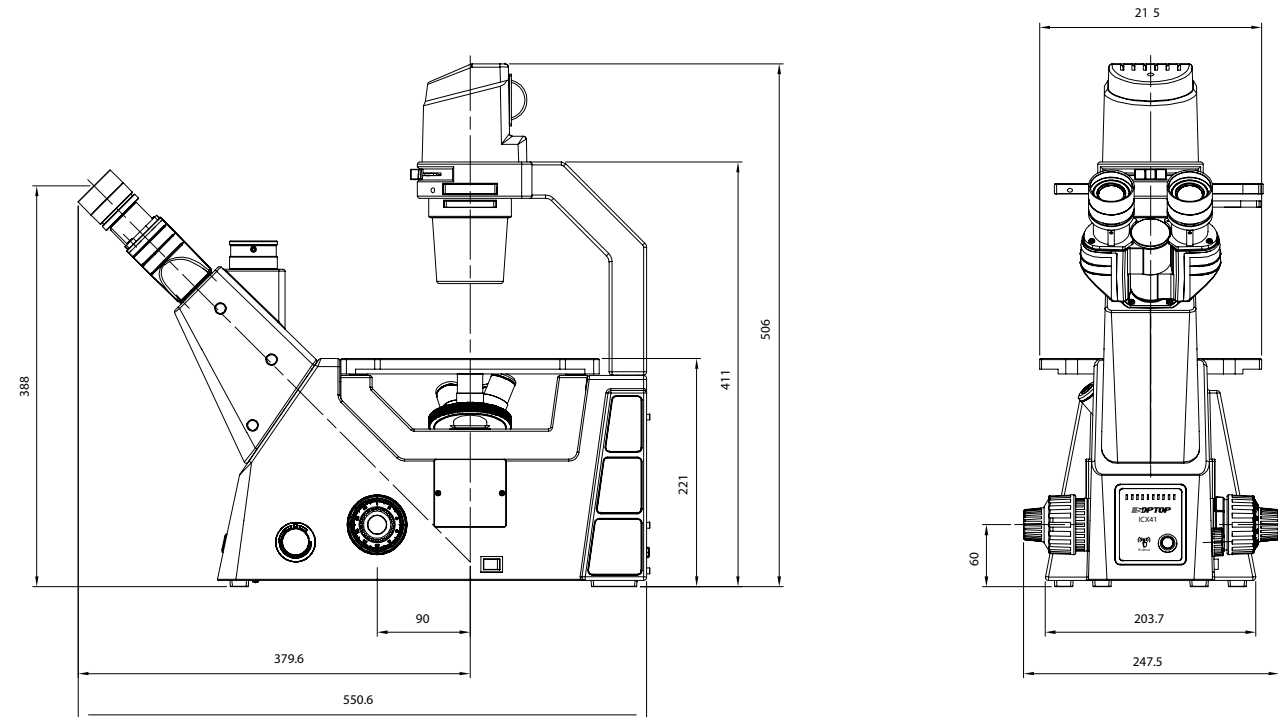
Also available with a three LED fluorescence module

Our fluorescence module uses three wavelength specific LED (385nm, 470nm, and 560nm) and matched filters (B1, G1, and UV1).

No Mercury vapor bulb means no more frequent bulb changes, usage timers, complicated shutdown procedures, Ozone, or risks from high voltages.



**Physical Dimensions**  
ICX41 Inverted Biological Microscope

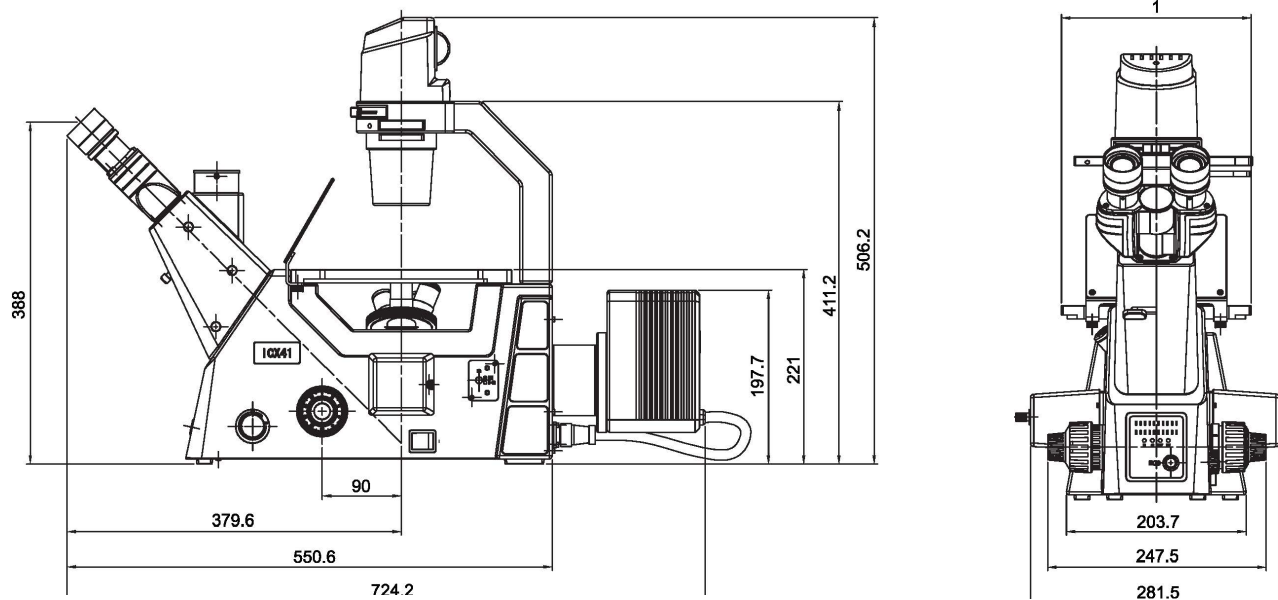


**Technical Specifications**

ICX41 Inverted Biological Fluorescence Microscope

<b>Optical System</b>	Infinity color corrected optical system
<b>Viewing Head</b>	45° inclined trinocular head, 360° rotatable, inter-pupillary range: 50-75mm, fixed splitting ratio=5:5
<b>Eyepiece</b>	High eye-point wide field plan eyepiece PL10X/22mm, with adjustable diopter, micrometer attachable High eye-point wide field plan eyepiece PL15X/16mm, with adjustable diopter
<b>Objective</b>	Infinity plan achromatic objectives 4X/10X/20X/40X/60X Infinity plan phase contrast objectives 4X/10X/20X/40X Infinity plan fluorescence objectives 4X/10X/20X/40X/60X Infinity plan phase contrast and fluorescence objectives 20X/40X
<b>Nosepiece</b>	Quintuple nosepiece Quadruple nosepiece
<b>Frame</b>	Biological frame with coaxial focus system, coarse range: 9mm (6.5mm up and 2.5 down), fine precision: 0.002mm. With upper limit and tension adjustment. External wide voltage transformer, 100V-240V input and 12V5A output; 5W LED with light indicator, intensity adjustable. With infrared induction.
<b>Stage</b>	215mm X 250mm fixed stage; mechanical stage attachable, moving range: 120mm X 80mm; extension plate; slide holder; Petri dish holder; Teraseki holder; metal plate; glass plate.
<b>Condenser</b>	NA0.3 long working distance condenser, demountable.
<b>Fluoro. Illumination</b>	Reflected fluorescent illumination, servomotor control, gear drive, with 3 LED of 385nm/470nm/560nm
<b>Fluoro. Filters</b>	B1/G1/UV1 fluorescence filters
<b>Camera Adaptors</b>	0.35X, 0.5X, 0.65X, 1X C-mount adapter
<b>Others</b>	Color temperature change filter, green interference filter, infrared eliminate filter

**Physical Dimensions**  
ICX41F Inverted Biological Fluorescence Microscope



**System Diagram**

ICX41 Inverted Biological Microscope

