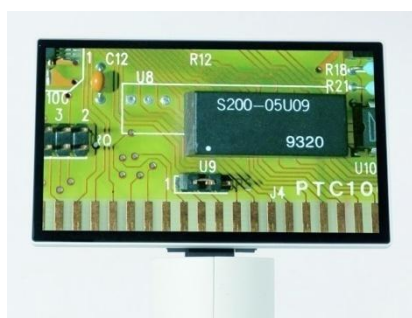


DMSZ7 Zoom Microscope with camera and Screen



High Definition camera built in with 4.0 Mega Pixel, providing clear sharp image of excellent colour resolution.
High frame rate of 30fps satisfying demand for speed and quality.
Adjustable Zoom lens of 0.7x-5x magnification 7:1.
Working distance is 170mm
The Flat base stand allows focussing up to 225mm.

2 Versions available with or without attached HD Monitor



The DMSZ7P with tilt screen allows -5to15 degree the tilting of screen to provide comfortable working condition.
with High resolution and fast frame speed.

Specifications

Model	DMSZ7P
Body	Zoom Lens 0.7x-5x built in camera with HDR. 4.0 mega pixel camera. 16G memory. HDMI/USB2.0 simultaneous output. Support for SD card/wireless mouse or keyboard
Screen	IPS touch screen 28.5cm, viewing angle adjustable -5 to 15 degree
Main Objective	1x objective WD= 105mm 1.4x objective WD= 100mm 0.5x objective WD= 170mm
Illumination	LED ring light 56 bulbs intensity adjustable 5000-5500K
Base	Large base, adjustable range 225mm
Accessories	1.5m USB cable: HDMI 5m cable

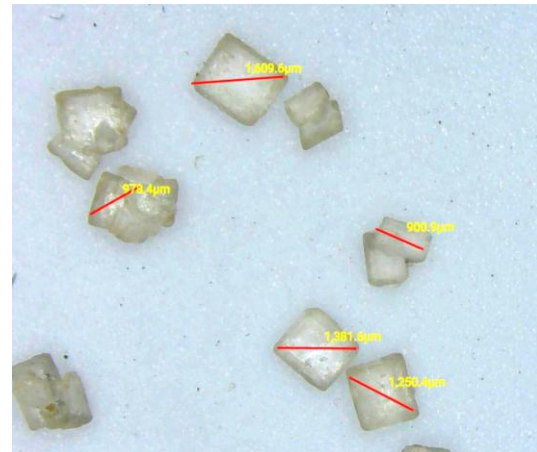


Software:

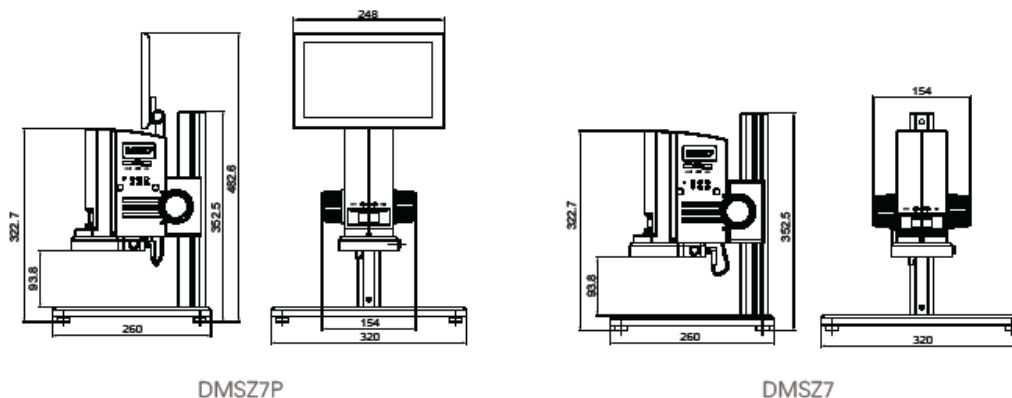
Android based with manual image analysis for measuring length, circle, angles, graduated cross grid, annotation etc.

Also via USB computer software provided.

Sugar crystals



Dimension: mm



Scientific Instrument & Optical Sales

Email: sales@sios.net.au www.sios.net.au Ph 0733560233