



Spectrophotometer Cells / Cuvettes

Standard Rectangular Type 1

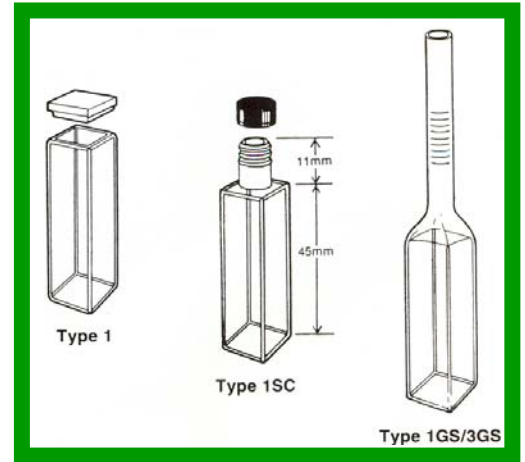
Cell Type	Path length	Width (mm)	Height (mm)	Capacity (ml)	Code Optical Glass	Code UV-VIS-NIR	Code UV-VIS
1	1	12.5	45	0.4	1-G-1	1-I-1	1-Q-1
1	2	12.5	45	0.7	1-G-2	1-I-2	1-Q-2
1	5	12.5	45	1.7	1-G-5	1-I-5	1-Q-5
1	10	12.5	45	3.5	1-G-10	1-I-10	1-Q-10
1	20	12.5	45	7.0	1-G-20	1-I-20	1-Q-20
1	30	12.5	45	10.5	1-G-30	1-I-30	1-Q-30
1	40	12.5	45	14.0	1-G-40	1-I-40	1-Q-40
1	50	12.5	45	17.5	1-G-50	1-I-50	1-Q-50

Rectangular with Screw Cap Type 1SC

Cell Type	Path length	Width (mm)	Height (mm)	Capacity (ml)	Code Optical Glass	Code UV-VIS-NIR	Code UV-VIS
1SC	10	12.5	56	3.5	N/A	1SC-I-10	1SC-Q-10

Rectangular with Graded Seal Type 1GS (Tube ID 8mm, OD 10mm, Tube length 70mm)

Cell Type	Path length	Width (mm)	Height (mm)	Capacity (ml)	Code Optical Glass	Code UV-VIS-NIR	Code UV-VIS
1GS	10	12.5	45	3.5	N/A	1GS-I-10	1GS-Q-10
3GS	10	12.5	45	3.5	N/A	N/A	3GS-Q-10



Fluorimeter Rectangular Cells Type 3

Cell Type	Path length	Width (mm)	Height (mm)	Capacity (ml)	Code Optical Glass	Code UV-VIS-NIR	Code UV-VIS
3	5	12.5	45	1.7	3-G-5	3-I-5	3-Q-5
3	10	12.5	45	3.5	3-G-10	3-I-10	3-Q-10
3	20	12.5	45	7.0	3-G-20	3-I-20	3-Q-20
3	40	12.5	45	10.5	3-G-40	3-I-40	3-Q-40
3	50	12.5	45	14.0	3-G-50	3-I-50	3-Q-50

Semi-Micro Rectangular Cells Type 9

Cell Type	Path length	Width (mm)	Height (mm)	Capacity (ml)	Code Optical Glass	Code UV-VIS-NIR	Code UV-VIS
9	5	12.5	45	0.7	9-G-5	9-I-5	9-Q-5
9	10	12.5	45	1.4	9-G-10	9-I-10	9-Q-10
9	20	12.5	45	2.8	9-G-20	9-I-20	9-Q-20
9	30	12.5	45	4.2	9-G-30	9-I-30	9-Q-30
9	40	12.5	45	5.6	9-G-40	9-I-40	9-Q-40
9	50	12.5	45	7.0	9-G-50	9-I-50	9-Q-50

Semi-Micro Self Masking Cells Type 9B

Cell Type	Path length	Width (mm)	Height (mm)	Capacity (ml)	Code Optical Glass	Code UV-VIS-NIR	Code UV-VIS
9B	5	12.5	45	0.7	9B-G-5	9B-I-5	9B-Q-5
9B	10	12.5	45	1.4	9B-G-10	9B-I-10	9B-Q-10
9B	20	12.5	45	2.8	9B-G-20	9B-I-20	9B-Q-20
9B	40	12.5	45	4.2	9B-G-40	9B-I-40	9B-Q-40

Semi-Micro Fluorimeter Cell Type 9F

Cell Type	Path length	Width (mm)	Height (mm)	Capacity (ml)	Code Optical Glass	Code U UV-VIS-NIR	Code UV-VIS
9F	10	12.5	45	1.4	9F-G-10	N/A	9F-Q-10

Micro Short Rectangular Cells Type 17

Cell Type	Path length	Width (mm)	Height (mm)	Capacity (ml)	Code Optical Glass	Code UV-VIS-NIR	Code UV-VIS
17	5	12.5	25	0.2	17-G-5	17-I-5	17-Q-5
17	10	12.5	25	0.4	17-G-10	17-I-10	17-Q-10
17	20	12.5	25	0.6	17-G-20	17-I-20	17-Q-20
17	30	12.5	25	0.8	17-G-30	17-I-30	17-Q-30
17	40	12.5	25	1.0	17-G-40	17-I-40	17-Q-40
17	50	12.5	25	1.2	17-G-50	17-I-50	17-Q-50

Micro Short Self Masking Cells Type 17B

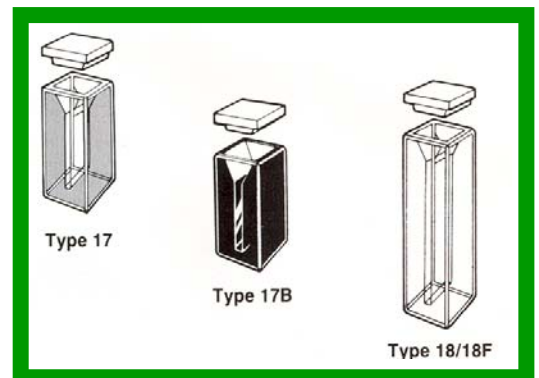
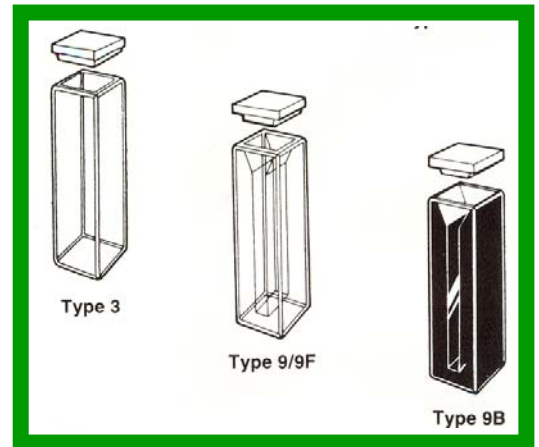
Cell Type	Path length	Width (mm)	Height (mm)	Capacity (ml)	Code Optical Glass	Code UV-VIS-NIR	Code UV-VIS
17B	5	12.5	25	0.2	17B-G-5	17B-I-5	17B-Q-5
17B	10	12.5	25	0.4	17B-G-10	17B-I-10	17B-Q-10
17B	20	12.5	25	0.6	17B-G-20	17B-I-20	17B-Q-20
17B	30	12.5	25	0.8	17B-G-30	17B-I-30	17B-Q-30
17B	40	12.5	25	1.0	17B-G-40	17B-I-40	17B-Q-40
17B	50	12.5	25	1.2	17B-G-50	17B-I-50	17B-Q-50

Micro with lid Cells Type 18

Cell Type	Path length	Width (mm)	Height (mm)	Capacity (ml)	Code Optical Glass	Code UV-VIS-NIR	Code UV-VIS
18	5	12.5	45	0.35	18-G-5	18-I-5	18-Q-5
18	10	12.5	45	0.7	18-G-10	18-I-10	18-Q-10
18	20	12.5	45	1.4	18-G-20	18-I-20	18-Q-20
18	30	12.5	45	2.1	18-G-30	18-I-30	18-Q-30
18	40	12.5	45	2.8	18-G-40	18-I-40	18-Q-40
18	50	12.5	45	3.5	18-G-50	18-I-50	18-Q-50

Micro Fluorimeter Cell Type 18F

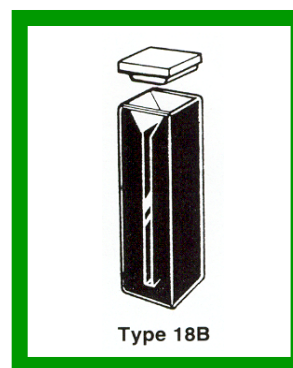
Cell Type	Path length	Width (mm)	Height (mm)	Capacity (ml)	Code Optical Glass	Code UV-VIS-NIR	Code UV-VIS
18F	10	12.5	45	0.7	18F-G-10	N/A	18F-Q-10



Sample Cells / Cuvettes

Self Masking Micro Cells Type 18B

Cell Type	Path length	Width (mm)	Height (mm)	Capacity (ml)	Code Optical Glass	Code UV-VIS-NIR	Code UV-VIS
18B	5	12.5	45	0.35	18B-G-5	18B-I-5	18B-Q-5
18B	10	12.5	45	0.7	18B-G-10	18B-I-10	18B-Q-10
18B	20	12.5	45	1.4	18B-G-20	18B-I-20	18B-Q-20
18B	30	12.5	45	2.1	18B-G-30	18B-I-30	18B-Q-30
18B	40	12.5	45	2.8	18B-G-40	18B-I-40	18B-Q-40

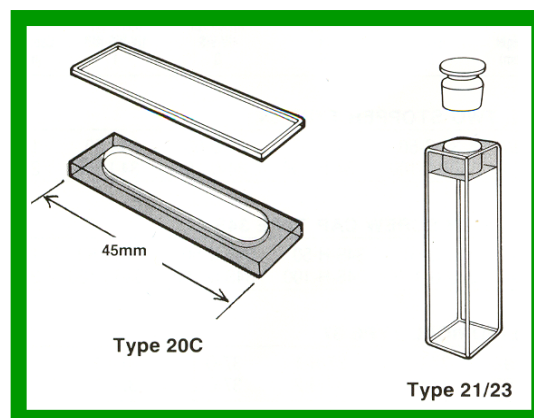


Demountable Cells Type 20C

Cell Type	Path length	Width (mm)	Height (mm)	Capacity (ml)	Code Optical Glass	Code U UV-VIS-NIR	Code UV-VIS
20C	0.01	12.5	45	0.003	20C-G-0.01	20C-I-0.01	20C-Q-0.01
20C	0.1	12.5	45	0.03	20C-G-0.1	20C-I-0.1	20C-Q-0.1
20C	0.5	12.5	45	0.15	20C-G-0.5	20C-I-0.5	20C-Q-0.5
20C	1.0	12.5	45	0.3	20C-G-1.0	20C-I-1.0	20C-Q-1.0

Standard Rectangular with Stopper Type 21

Cell Type	Path length	Width (mm)	Height (mm)	Capacity (ml)	Code Optical Glass	Code UV-VIS-NIR	Code UV-VIS
21	1	12.5	45	0.4	21-G-1	21-I-1	21-Q-1
21	2	12.5	45	0.7	21-G-2	21-I-2	21-Q-2
21	5	12.5	45	1.7	21-G-5	21-I-5	21-Q-5
21	10	12.5	45	3.5	21-G-10	21-I-10	21-Q-10
21	20	12.5	45	7.0	21-G-20	21-I-20	21-Q-20
21	30	12.5	45	10.5	21-G-30	21-I-30	21-Q-30
21	40	12.5	45	14.0	21-G-40	21-I-40	21-Q-40
21	50	12.5	45	17.0	21-G-50	21-I-50	21-Q-50



Fluorimeter Rectangular with Stopper Cells Type 23

Cell Type	Path length	Width (mm)	Height (mm)	Capacity (ml)	Code Optical Glass	Code UV-VIS-NIR	Code UV-VIS
23	5	12.5	45	1.7	23-G-5	23-I-5	23-Q-5
23	10	12.5	45	3.5	23-G-10	23-I-10	23-Q-10
23	20	12.5	45	7.0	23-G-20	23-I-20	23-Q-20
23	40	12.5	45	10.5	23-G-40	23-I-40	23-Q-40
23	50	12.5	45	14.0	23-G-50	23-I-50	23-Q-50

Anaerobic Fluorimeter Cells Type 28F

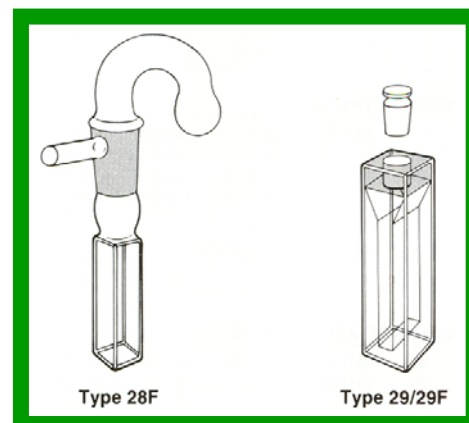
Cell Type	Path length	Width (mm)	Height (mm)	Capacity (ml)	Code Optical Glass	Code UV-VIS-NIR	Code UV-VIS
28F	10	12.5	45	3.5	28F-G-10	N/A	28F-Q-10

Semi Micro with Stopper Cells Type 29

Cell Type	Path length	Width (mm)	Height (mm)	Capacity (ml)	Code Optical Glass	Code UV-VIS-NIR	Code UV-VIS
29	1	12.5	45	0.17	29-G-1	29-I-1	29-Q-1
29	2	12.5	45	0.35	29-G-2	29-I-2	29-Q-2
29	5	12.5	45	0.7	29-G-5	29-I-5	29-Q-5
29	10	12.5	45	1.4	29-G-10	29-I-10	29-Q-10
29	20	12.5	45	2.8	29-G-20	29-I-20	29-Q-20
29	30	12.5	45	4.2	29-G-30	29-I-30	29-Q-30
29	40	12.5	45	5.6	29-G-40	29-I-40	29-Q-40
29	50	12.5	45	7.0	29-G-50	29-I-50	29-Q-50

Semi Micro Fluorimeter with Stopper Cells Type 29F

Cell Type	Path length	Width (mm)	Height (mm)	Capacity (ml)	Code Optical Glass	Code UV-VIS-NIR	Code UV-VIS
29F	10	12.5	45	1.4	29F-G-10	N/A	29F-Q-10



Semi Micro with Stopper Self Masking Cells Type 28B

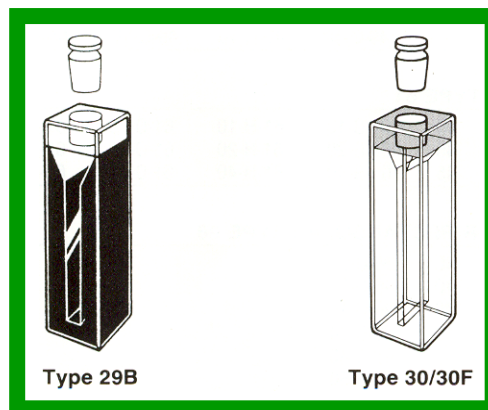
Cell Type	Path length	Width (mm)	Height (mm)	Capacity (ml)	Code Optical Glass	Code UV-VIS-NIR	Code UV-VIS
28B	5	12.5	45	0.7	29B-G-5	29B-I-5	29B-Q-5
29B	10	12.5	45	1.4	29B-G-10	29B-I-10	29B-Q-10
29B	20	12.5	45	2.8	29B-G-20	29B-I-20	29B-Q-20
29B	40	12.5	45	5.6	29B-G-40	29B-I-40	29B-Q-40

Micro with Stopper Cells Type 30

Cell Type	Path length	Width (mm)	Height (mm)	Capacity (ml)	Code Optical Glass	Code UV-VIS-NIR	Code UV-VIS
30	1	12.5	45	0.08	30-G-1	30-I-1	30-Q-1
30	2	12.5	45	0.17	30-G-2	30-I-2	30-Q-2
30	5	12.5	45	0.35	30-G-5	30-I-5	30-Q-5
30	10	12.5	45	0.7	30-G-10	30-I-10	30-Q-10
30	20	12.5	45	1.4	30-G-20	30-I-20	30-Q-20
30	30	12.5	45	2.1	30-G-30	30-I-30	30-Q-30
30	40	12.5	45	2.8	30-G-40	30-I-40	30-Q-40
30	50	12.5	45	3.5	30-G-50	30-I-50	30-Q-50

Micro Fluorimeter Cell with Stopper Type 30F

Cell Type	Path length	Width (mm)	Height (mm)	Capacity (ml)	Code Optical Glass	Code UV-VIS-NIR	Code UV-VIS
30F	10	12.5	45	0.7	30F-G-10		30F-Q-10



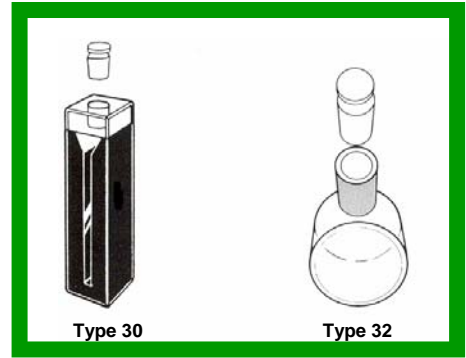
Sample Cells / Cuvettes

Micro with Stopper Cells Type 30B

Cell Type	Path length	Width (mm)	Height (mm)	Capacity (ml)	Code Optical Glass	Code UV-VIS-NIR	Code UV-VIS
30B	5	12.5	45	0.35	30B-G-5	30B-I-5	30B-Q-5
30B	10	12.5	45	0.7	30B-G-10	30B-I-10	30B-Q-10
30B	20	12.5	45	1.4	30B-G-20	30B-I-20	30B-Q-20
30B	40	12.5	45	2.8	30B-G-40	30B-I-40	30B-Q-40

Cylindrical One Stopper Cells Type 32

Cell Type	Path length	Dia. (mm)	Height (mm)	Capacity (ml)	Code Optical Glass	Code UV-VIS-NIR	Code UV-VIS
32	10	22	N/A	2.8	32-G-10	32-I-10	32-Q-10
32	20	22	N/A	5.6	32-G-20	32-I-20	32-Q-20
32	50	22	N/A	14.1	32-G-50	32-I-50	32-Q-50
32	100	22	N/A	28.2	32-G-100	32-I-100	32-Q-100

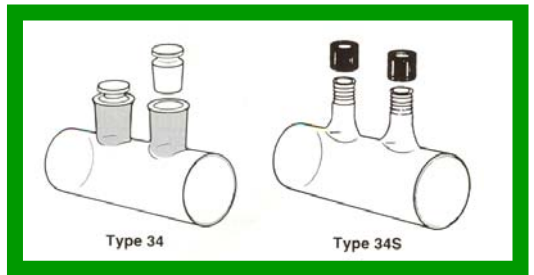


Cylindrical Two Stopper Cells Type 34

Cell Type	Path length	Dia. (mm)	Height (mm)	Capacity (ml)	Code Optical Glass	Code UV-VIS-NIR	Code UV-VIS
34	50	22	N/A	14.1	34-G-50	34-I-50	34-Q-50
34	100	22	N/A	28.2	34-G-100	34-I-100	34-Q-100

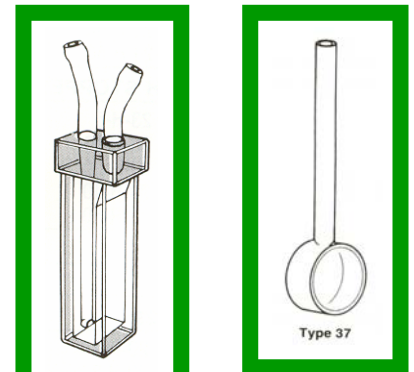
Cylindrical Cells with Screw Caps Type 34S

Cell Type	Path length	Dia. (mm)	Height (mm)	Capacity (ml)	Code Optical Glass	Code UV-VIS-NIR	Code UV-VIS
34S	50	22	N/A	14.1	34S-G-50	34S-I-50	34S-Q-50
34S	100	22	N/A	28.2	34S-G-100	34S-I-100	34S-Q-100



Long Outlet Cylindrical One Cells Type 37 (Tube ID-2mm, OD-4mm, Length-70mm)

Cell Type	Path length	Dia. (mm)	Height (mm)	Capacity (ml)	Code Optical Glass	Code UV-VIS-NIR	Code UV-VIS
37	1	22	92	0.28	37-G-1	37-I-1	37-Q-1
37	2	22	92	0.56	37-G-2	37-I-2	37-Q-2
37	5	22	92	1.4	37-G-5	37-I-5	37-Q-5
37	10	22	92	2.8	37-G-10	37-I-10	37-Q-10



Flow Through Micro Cells Type 44

Cell Type	Path length	Width (mm)	Height (mm)	Capacity (ml)	Code Optical Glass	Code UV-VIS-NIR	Code UV-VIS
44	10	12.5	45	1.8	44-G-10	44-I-10	44-Q-10

Flow Through Micro Self Masking Cells (aperture 11 x 4mm). Type 44B4

Cell Type	Path length	Width (mm)	Height (mm)	Capacity (ml)	Z Height (mm)	Code Optical Glass	Code UV-VIS-NIR	Code UV-VIS
44B4	10	12.5	45	0.450	15	44B4-G-10/Z15	44B4-I-10/Z15	44B4-Q-10/Z15
44B4	10	12.5	45	0.450	20	44B4-G-10/Z20	44B4-I-10/Z20	44B4-Q-10/Z20

Pathlengths of 1, 2, 5, 20, 40, 50, 100mm are available on request

Flow Through Micro Self Masking Cells (aperture 11 x 6.5mm). Type 44B6.5

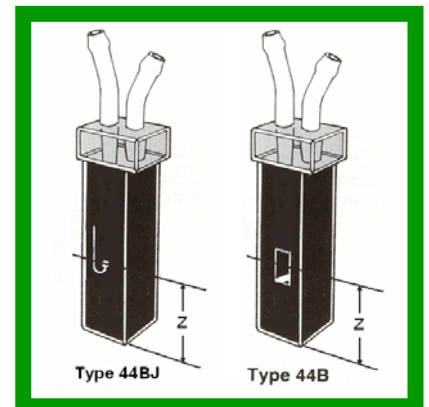
Cell Type	Path length	Width (mm)	Height (mm)	Capacity (ml)	Z Height (mm)	Code Optical Glass	Code UV-VIS-NIR	Code UV-VIS
44B6.5	10	12.5	45	0.720	15	44B6.5-G-10/Z15	44B6.5-I-10/Z15	44B6.5-Q-10/Z15
44B6.5	10	12.5	45	0.720	20	44B6.5-G-10/Z20	44B6.5-I-10/Z20	44B6.5-Q-10/Z20

Pathlengths of 1, 2, 5, 20, 40, 50, 100mm are available on request

Flow Through Micro Self Masking Cells, Round (3mm) Aperture. Type 44BJ

Cell Type	Path length	Width (mm)	Height (mm)	Capacity (ml)	Z Height (mm)	Code Optical Glass	Code UV-VIS-NIR	Code UV-VIS
44BJ	10	12.5	45	0.070	15	44BJ-G-10/Z15	44BJ-I-10/Z15	44BJ-Q-10/Z15
44BJ	10	12.5	45	0.070	20	44BJ-G-10/Z20	44BJ-I-10/Z20	44BJ-Q-10/Z20

Pathlengths of 1, 2, 5, 20, 40, 50, 100mm are available on request



Flow Through Demountable Type Cells. Type 49

Cell Type	Path length	Width (mm)	Height (mm)	Capacity (ml)	Code Optical Glass	Code U UV-VIS-NIR	Code UV-VIS
49	0.1	12.5	45	0.03	49-G-5	49-I-5	49-Q-5
49	0.5	12.5	45	0.15	49-G-10	49-I-10	49-Q-10
49	1	12.5	45	0.3	49-G-20	49-I-20	49-Q-20
49	2	12.5	45	0.6	49-G-40	49-I-40	49-Q-40
49	5	12.5	45	1.56	49-G-20	49-I-20	49-Q-20
49	10	12.5	45	3.12	49-G-40	49-I-40	49-Q-40

